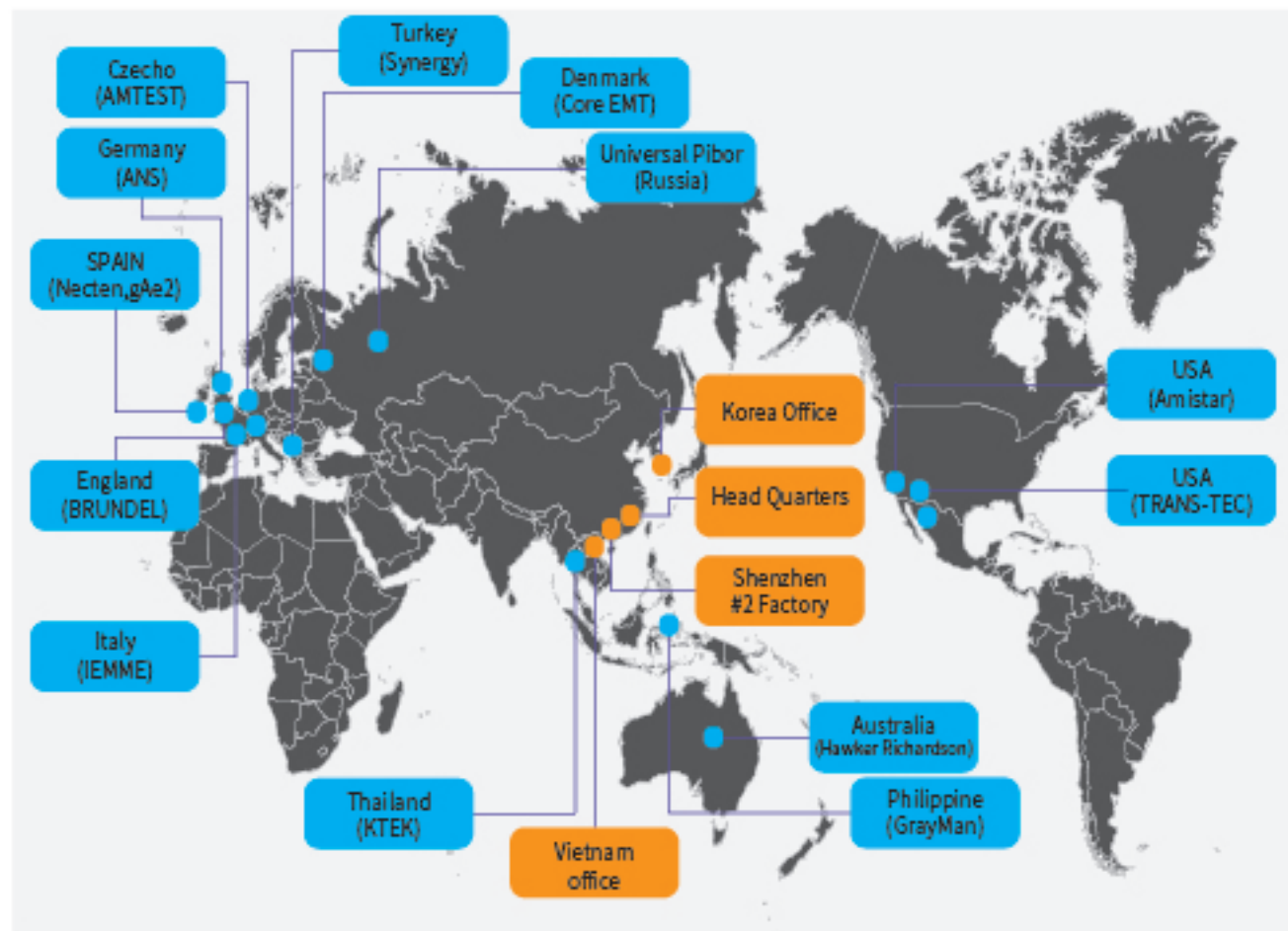


Sales and Service network



Huizhou Company

Address: Jishan Industrial Park, Chenjiang Sub-district, Zhongkai Hi-tech Development Zone, Huizhou, Guangdong, China

TEL: 0752-3320 700 / 180 2653 3701 / 189 3350 7052

FAX: 0752-379 4062

Shenzhen Company

Address: 73 industrial district, manhole street, Baoan District, Shenzhen, Guangdong, China.

TEL : 86-755-8524 5352, 133 1084 6204

Korean Company

Address: 450-88, Yanggi-ri, Gongdo-eup, Anseong-si, Gyeonggi-do, Korea

TEL : 031-858-2102

Vietnam Office

Address: SỐ NHÀ 5 ĐƯỜNG NGÔ TẤT TỐ, PHƯỜNG NINH XÁ, THÀNH PHỐ BẮC NINH, TỈNH BẮC NINH

TEL : +841682608617



Wap Mobile Website



High quality
Excellent performance

High Performance Vision screen printer with Best platform

High speed screen printer with excellent quality assurance, Robust design and the most convenient to the users.

HIT 520 SERIES CE



Consistently and wholeheartedly, we go all out for customer's satisfaction

About HIT Co., LTD

HIT Co., LTD is a fast-growing hi-tech Korean enterprise, specializing in manufacturing SMT automatic equipment. The headquarters, located in Jishan Industrial Zone, Zhongkai Hi-tech district, Huizhou city, Guangdong, It sets up branch companies in Shenzhen and Korea. Introducing the SMT Screen Printer technology from Korea, it has developed various high-quality SCREEN PRINTERS which accord with modern production requirements.

The independent R&D laboratory, modern assembly workshop, advanced test facilities, trained engineers and sales team make HIT a scientific research, production and sales of modern science and technology enterprises. It contains first-class equipments and technical team which consists of many foreign professionals. According to the enterprise culture that "To benefit to the human, and make a beautiful world", "Excellent quality is the starting point of the value and dignity", HIT will still strive for the development of SMT industry to grapple with the challenge of improvement in SMT field.

For providing all customers high quality products with perfect service, HIT is willing and ready to be your best partner.



Location : Shenzhen & Huizhou in China
Founded : March 2007

History



Advanced high automatic equipment and exquisite craft, we all strive to perfect and keep improving to create excellent quality after thoroughly tempered.

Certificate of honor

CE certificate



Patent certificate



HIT SCREEN PRINTER



HIT520 Smart



HIT520 H



HIT520L



HIT520 HL

6 SIGMA LEVEL HIGH ACCURACY PRINTING

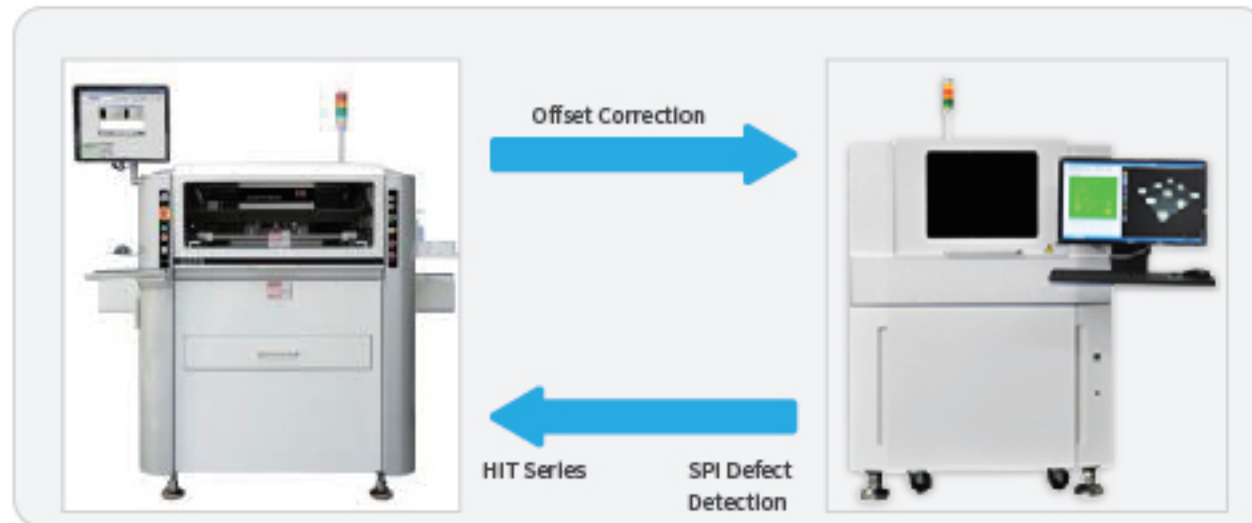
»» Alignment Accuracy :±12.5µm@6σ

Main parts are manufactured by high rigid mould High stability rigid casting structure ensures the minimized deformation of bas board while printing -

Deformation below 0.01mm at 20Kg.

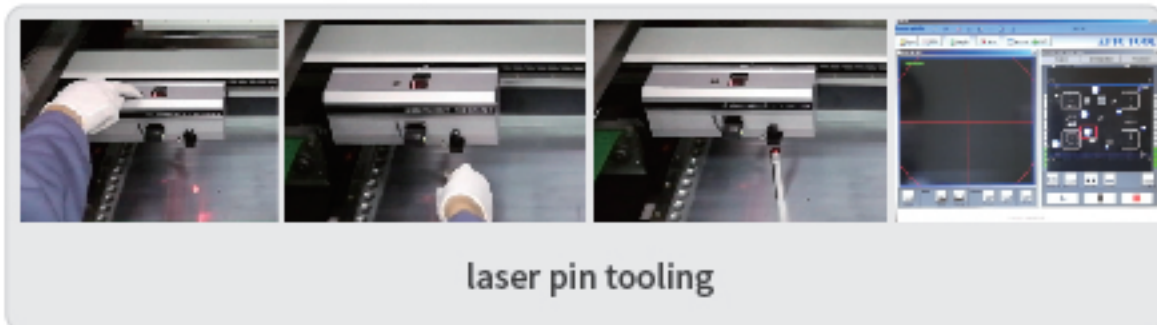
»» SPI Printing Offset Feedback System

After received the feedback information of bad printing from SPI, It can inspect and clean the mask holes automatically, thus improved the printing quality and production rate.



»» Laser pin tooling

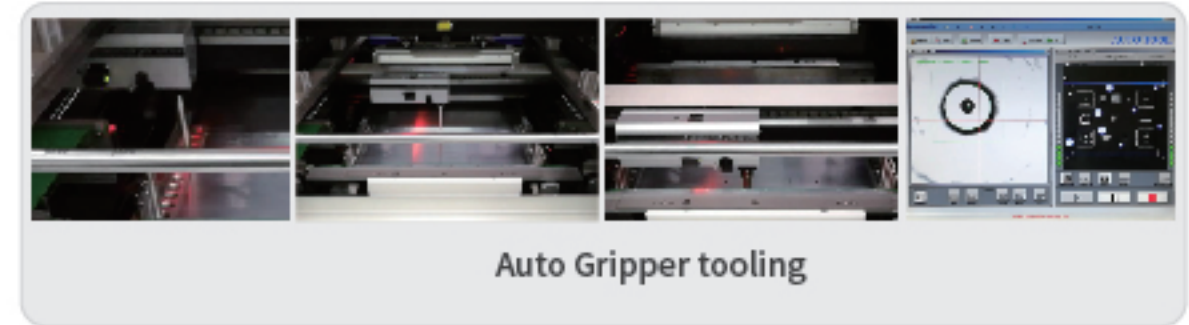
The operator places the pin correctly according to the position indicated by the red laser compared with previous manual placement according to experience, the placement error is reduced, the time of pin placement is shortened, and the work effently is improved.



»» Auto Gripper tooling

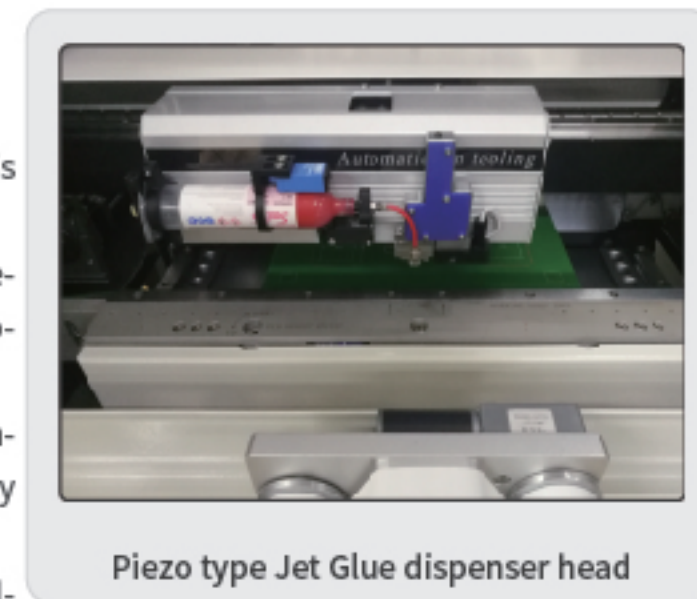
The CCD camera automatically scans the back of the PCB, and the operator only needs to select a suitable position on the screen to place the pin .The auto gripper automatically grabs the pin into a preset position.

Easily change production of complex doublesided boards, Automatically perform periodic fiducial mark check of pin-position to prevent parts from being impacted in advance. It is a necessary function for production that requires reliability of automobile electronic etc.



»» Jet Glue dispensing System

- Non-contact jet dispensing system provides high-accuracy and high-speed dispensing for surface mount adhesive applications
- Non-contact jetting eliminates Z-axis motion between dots
- Accurately jets surface mount adhesive dots for a wide range of component sizes
- Removable Jet head facilitate cleaning by ultrasonic cleanser and easy maintenance.
- 30cc Large capacity syringe is available.



Enhance User convenience

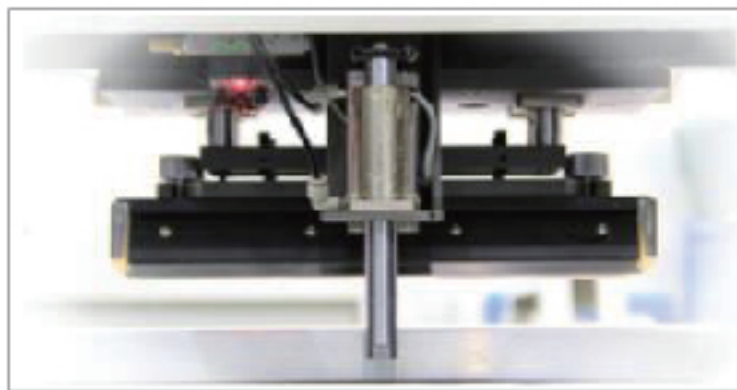
» Maximize operational convenience

Various production information was monitored and operated conveniently through the touch screen. User can scan the PCB by a fiducial Camera for 2D Inspection. And can create an image from a Gerber files.



» Automatic Mask moving device

The stencil automatic moving device can quickly move the new stencil to the printing position. The operator only needs to set the correct parameters according to the stencil size in the program.



» Automatic Solder paste supply

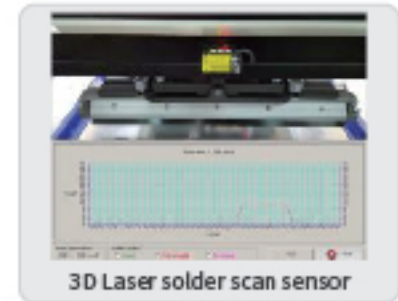
Direct use of the market ordinary large capacity of 500cc cylinder type solder paste, convenient and quick replacement of solder paste. According to the laser sensor check results, It injects automatically. This will make to possible to minimize the consumption of solder cream. Less labor and more efficiency. Save cost and increase profit.



500CC Standard Syringe

» 3D laser solder paste scan

The 3D solder paste laser sensor can monitor the amount of solder paste on the stencil in real time. Remind operators to add solder paste in time according to the set parameters.



3D Laser solder scan sensor

» Automatic squeegee unit pressure control

Imported precise electric proportional valve is used for automatic control of squeegee pressure. Set different pressure according to different products. Real - time adjustment is realized and the pressure of the squeegee is displayed on the panel.



Automatic pressure control

» Adjustable Squeegee

Adjustable type of side guide – Printing Area can be controlled easily for actual PCB size.

Squeegee Type	Real printing Area
560mm	50-520mm
460mm	50-420mm
400mm	50-360mm
320mm	50-280mm
280mm	50-240mm

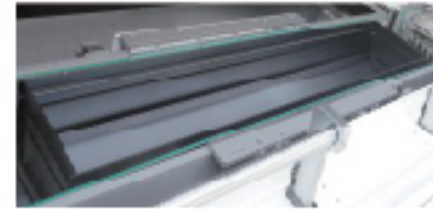
»» Temperature control system

Automatic control of temperature, digital display of temperature and humidity on the shell.

Automatic adjustment and supervision of temperature within the printing, to ensure the stable physical characteristics of printing materials. So as to ensure more stable and perfect printing quality.



»» Long adjustable vacuum block



Specially designed for 520H, 520HL type equipment, adjustable vacuum block, especially suitable for printing long PCB. It can be very stable fixed 1.5 meters long PCB.

Standard (50 *100~600 *500mm)
Option 1 (1,000*100~1,430*500mm)
Option 2 (600 *100~1,080*500mm)

»» Vacuum fixing stencil function

For the printing process, the squeegee unit pressure will cause the stencil to be offset by about 0.05mm. The offset problem in printing process can be effectively solved by using vacuum to fix the stencil sheet.



sorption Vacuum

»» Drawer tool box

Backup pin, Block, Squeegee Rack, Space saver, A beautiful exterior, Best operator convenience.



»» Printing toolbox device

A toolbox is installed on the equipment shell, which can be used to place the printing bottle solder paste, cleaning paper, solder paste mixing knife, detergent bottle and other common tools. Simple and practical, beautiful and generous, does not take up space, human ergonomic design.



Printing toolbox device

Advanced User convenience

»» Perfect solder Separation System



Built-In Fan Blower

Fan Blower : When printing smallest chips, It can generate vacuum under the PCB to improve the solder separation, so that to realize high quality printing.

Fixture vacuum blocks and curtains provide excellent fixing for various type of PCBs.

Perfectly process distorted PCB & Mask by double clamp with vacuum clamp to prevent offset printing, It makes to perfect separation after printing with half tone vacuum.



Vacuum Block for PCB Vacuum

MIS function support

»» 2D Bar code tracking support

Time-base file name is automatically generated for every production PCB with all production related information. Server communication support for MES build.



1D Barcode (Reader)



2D code scan (Camera)

»» Barcode gun manual scanning



Barcode gun manual scanning

According to the actual process, the realization of the steel stencil lifetime, squeegee blade lifetime management, Solder paste type management. And for different positions of staff, set different permissions to use the device.

»» Highly integrated control board

According to the characteristics of the equipment, the self-developed control board integrates motor motion control, I/O control, communication control and LED light control into one control board. High integration, stable and reliable, centralized signal collection, centralized communication. The layout of the circuit is very simple, convenient for after-sales inspection and maintenance.

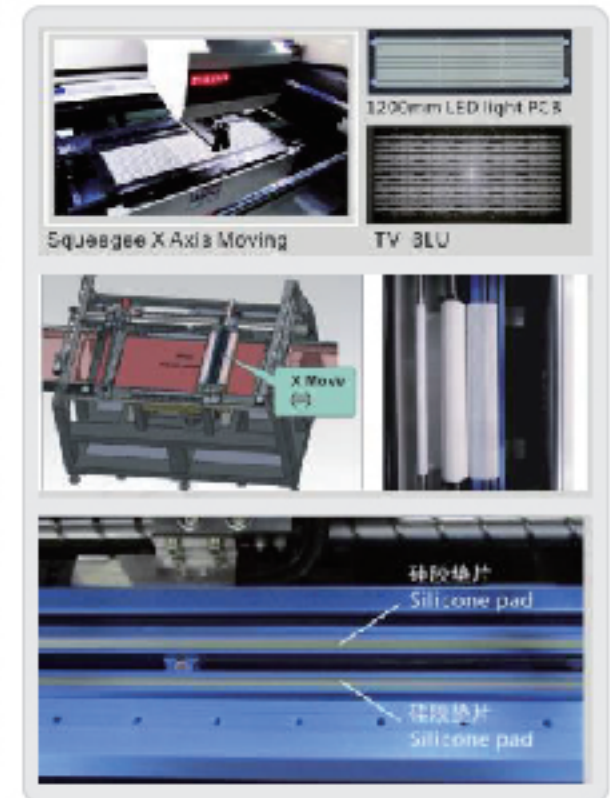


Highly Integrated control board

X-Axis printing and cleaning system for long board

The long Squeegee in Y-axis printing will consume 1,000g solder paste at first time. While, in the same situation, The X axis printing which squeegee is shorter, will consume 200g solder paste at the first time. It can save much materials. Too long squeegee will lead pressure uneven distributed and affect printing effect. However, It is well-distributed and high-quality in X axis printing. Compared with Y axis cleaning, the X axis cleaning with shorter width cleaning roll paper will be available. It can save more cleaning paper.

HIT520XL(850mm), H(1,220mm), HL(1,550mm), HLX(1,850mm), X-cleaning system saving much cleaning paper, Silicon pads are inlaid in vacuum cleaner head for optimum sucking of solder paste residue



Squeegee X Axis Moving

1200mm LED light PCB

TV BLU

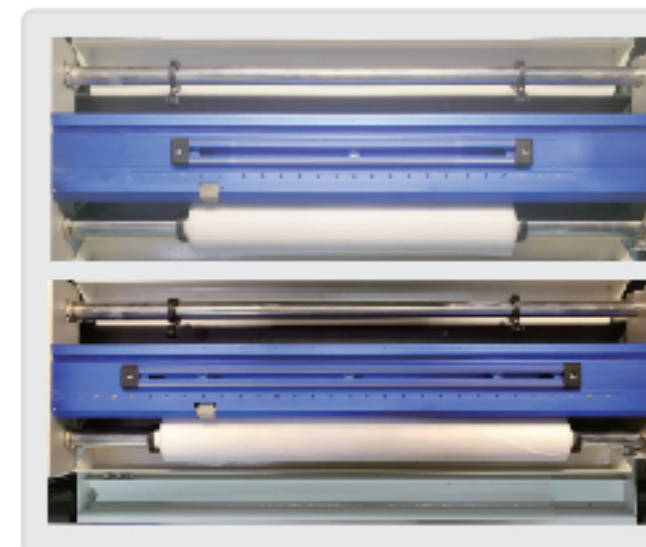
X Move

硅胶垫片

Silicone pad

硅胶垫片

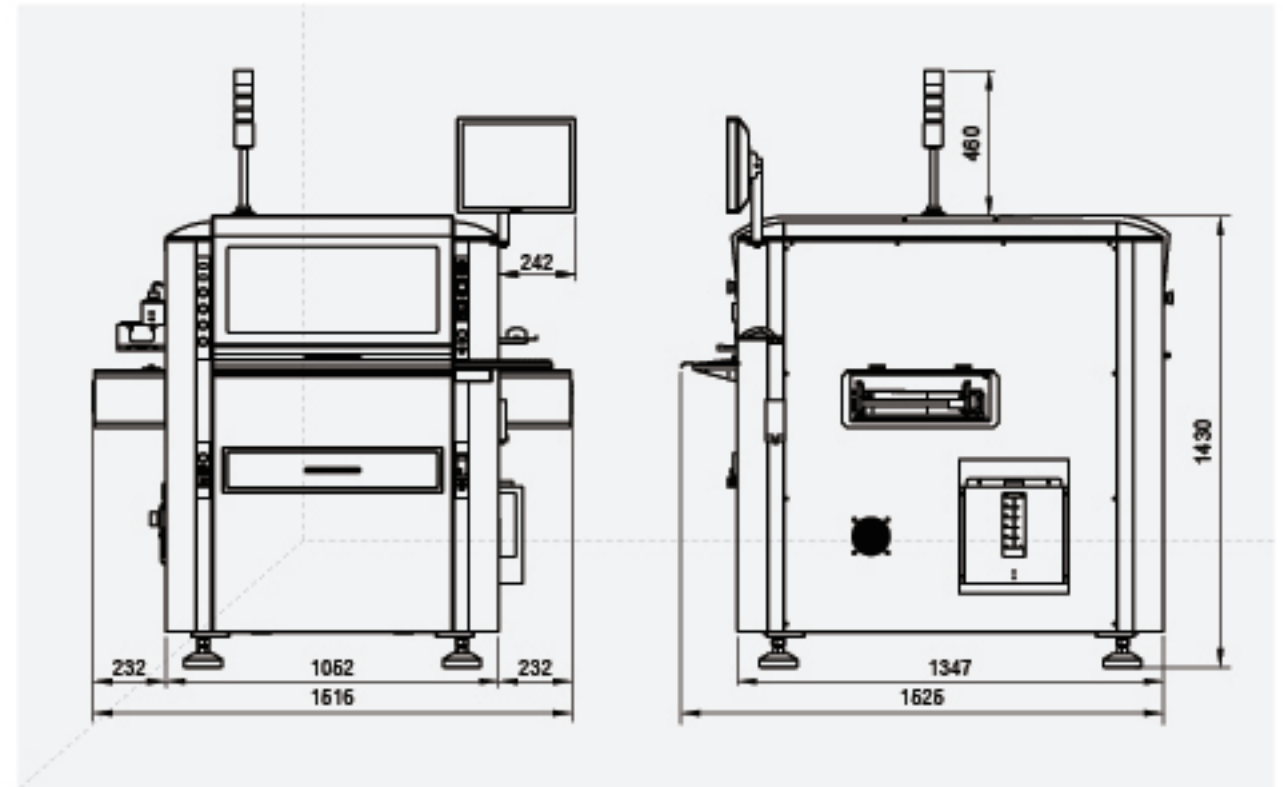
Silicone pad



It sets dry cleaning, wet cleaning, vacuum, air cleaning methods in one of the cleaning system. It can be customized through the program to set cleaning parameters. According to customer requirements, can choose different lengths of cleaning head and cleaning paper.

Small Board Model & Main Specification

HIT520

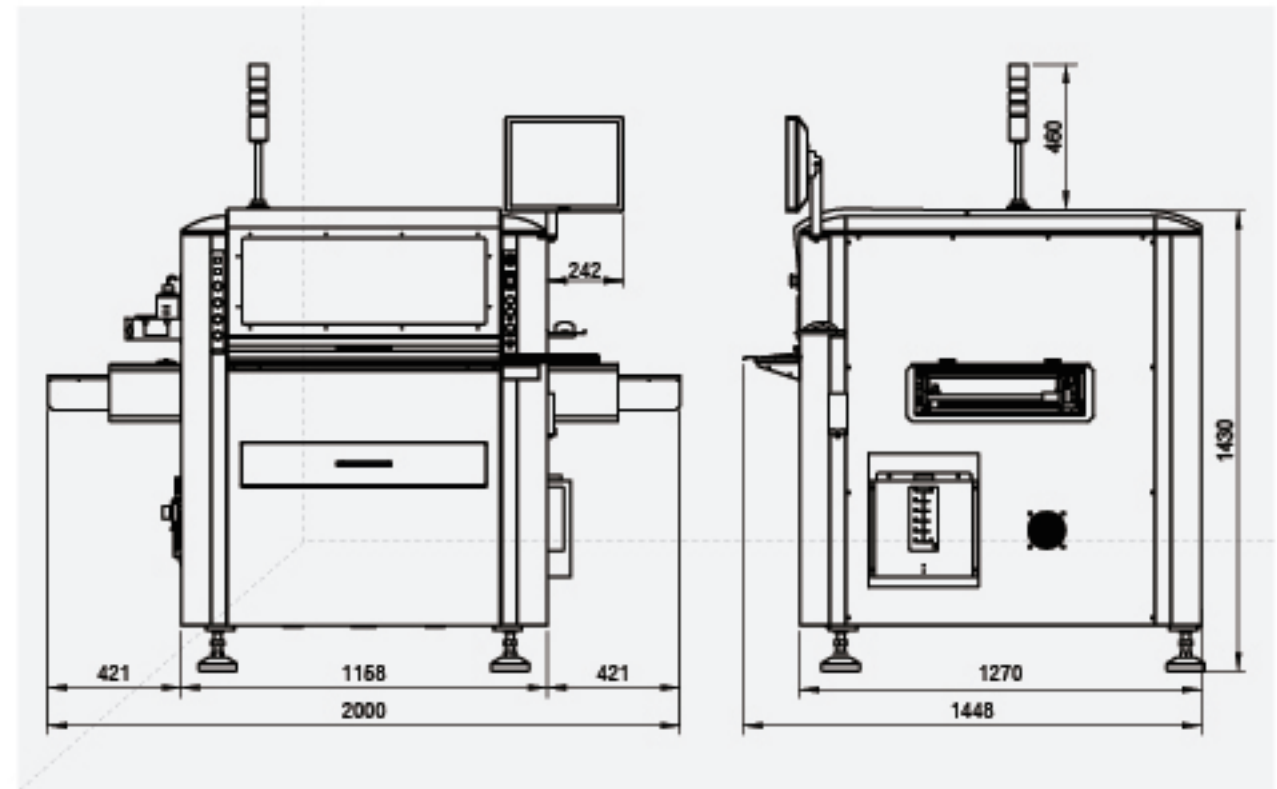


Main Specification

	Item	HIT520	Remark
MASK	Min. Size (mm)	650 * 550	
	Max. Size (mm)	650 * 550	
PCB	Min. Size (L*W mm)	50 * 50	
	Max. Size (L*W mm)	450 * 300	
	Thickness (mm)	0.4 ~ 6	
	Max. Weight	4 Kg	
	PCB Under Clearance	14 mm	
Printing	Speed	1~ 300 mm/Sec	Programmable
	Pressure	4 ~ 20Kg	Auto pressure control regulator (Programmable)
	Cycle time	8 Sec	Standard PCB 200 * 200, (Exclude printing time)
Accuracy	Alignment Repeated	±12.5μm @ 6σ	
	Printing repeatability	±25μm @ 6 Sigma, Cpk≥ 2	
Others	Air supply	4 ~ 6 Kg/㎡	
	Power supply	220V±10% Single Phase, MAX 1Kw 50/60 Hz	
	Weight	800 Kg	
	Dimension	1,516 * 1,347 * 1,430 mm	

Standard Model & Main Specification

HIT520LS

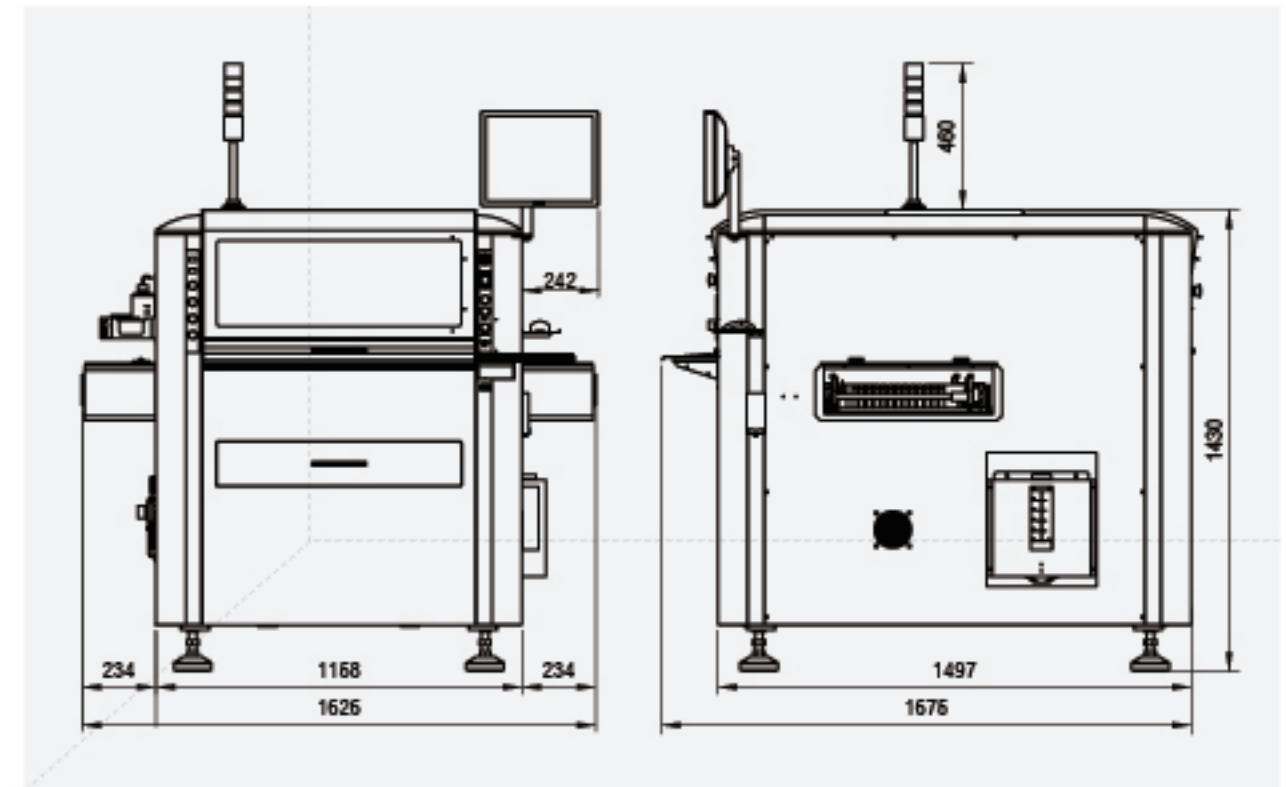


Main Specification

	Item	HIT520LS	Remark
MASK	Min. Size (mm)	550 * 550	
	Max. Size (mm)	736 * 736	
PCB	Min. Size (L*W mm)	50 * 50	
	Max. Size (L*W mm)	610 * 420	
	Thickness (mm)	0.4 ~ 6	
	Max. Weight	4 Kg	
	PCB Under Clearance	14 mm	
Printing	Speed	1~ 300 mm/Sec	Programmable
	Pressure	4 ~ 20Kg	Auto pressure control regulator (Programmable)
	Cycle time	8 Sec	Standard PCB 200 * 200, (Exclude printing time)
Accuracy	Alignment Repeated	$\pm 12.5\mu\text{m} @ 6\sigma$	
	Printing repeatability	$\pm 25\mu\text{m} @ 6 \text{ Sigma, } Cpk \geq 2$	
Others	Air supply	4 ~ 6 Kg/ m^3	
	Power supply	220V $\pm 10\%$ Single Phase, MAX1Kw 50/60 Hz	
	Weight	900 Kg	
	Dimension	2,000 * 1,297 * 1,430 mm	

Standard Model & Main Specification

HIT520L

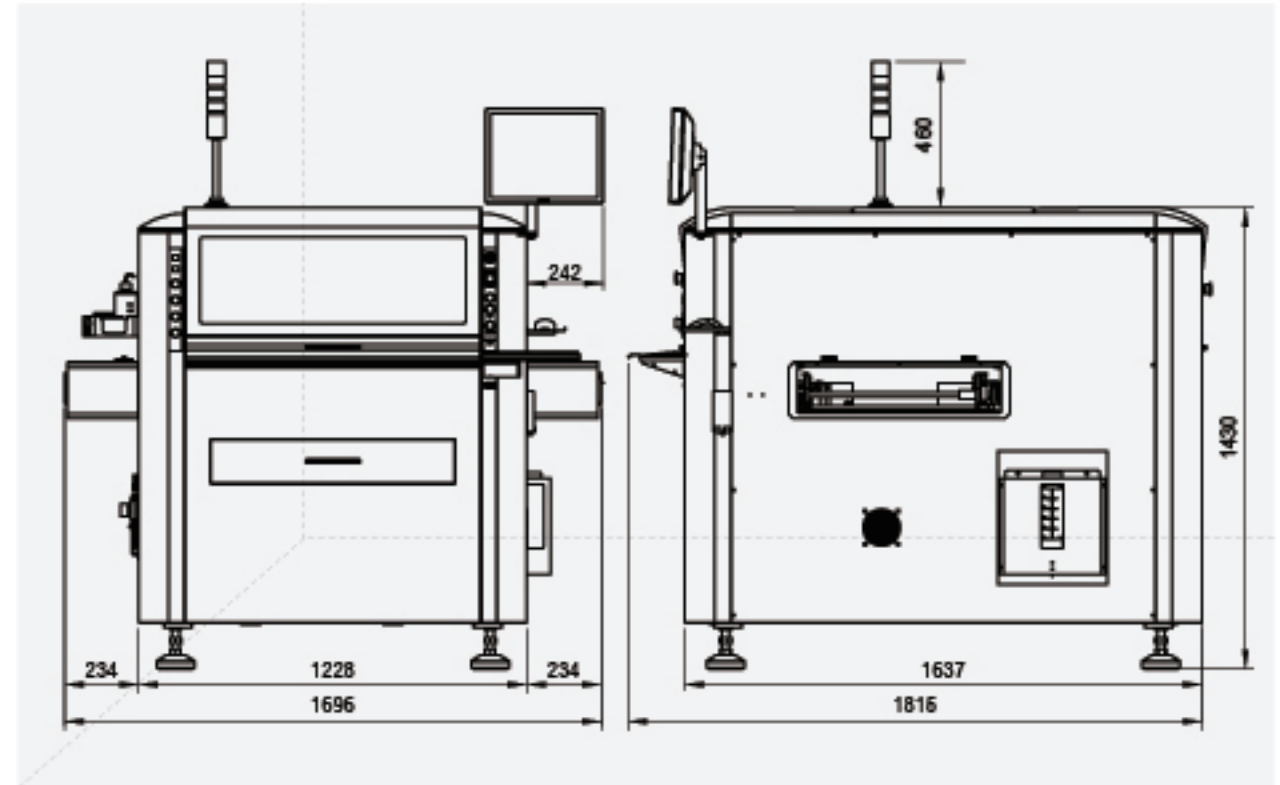


Main Specification

	Item	HIT520L	Remark
MASK	Min. Size (mm)	550 * 550	450*450 (Factory Option)
	Max. Size (mm)	736 * 736	
PCB	Min. Size (L*W mm)	50 * 50	
	Max. Size (L*W mm)	610 * 420	
	Thickness (mm)	0.4 ~ 6	
	Max. Weight	4 Kg	
	PCB Under Clearance	14 mm	
Printing	Speed	1~ 300 mm/Sec	Programmable
	Pressure	4 ~ 20Kg	Auto pressure control regulator (Programmable)
	Cycle time	8 Sec	Standard PCB 200 * 200, (Exclude printing time)
Accuracy	Alignment Repeated	±12.5μm @ 6σ	
	Printing repeatability	±25μm @ 6 Sigma, Cpk≥ 2	
Others	Air supply	4 ~ 6 Kg/cm ²	
	Power supply	220V±10% Single Phase, MAX 1Kw 50/60 Hz	
	Weight	900 Kg	
	Dimension	1,626 * 1,497 * 1,430 mm	

Standard Model & Main Specification

HIT520L(II)

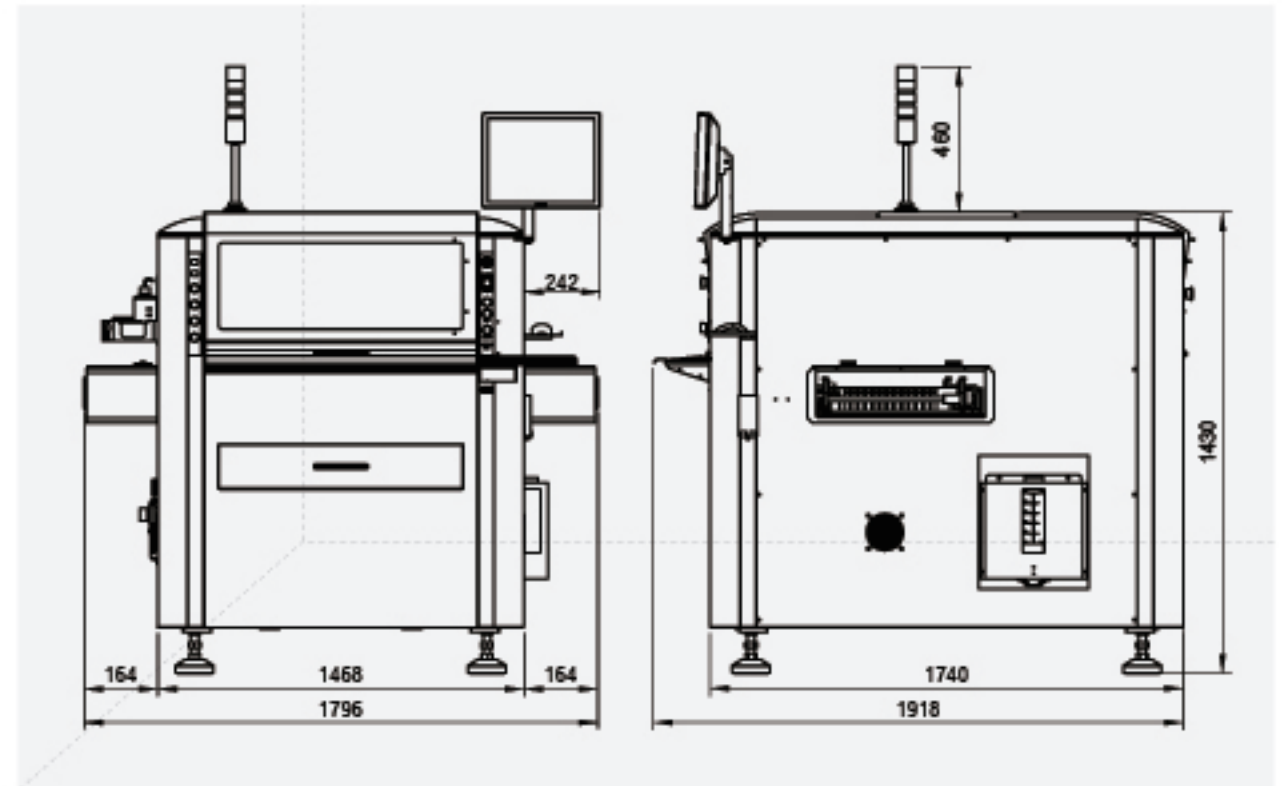


Main Specification

	Item	HIT520L(II)	Remark
MASK	Min. Size (mm)	550 * 550	450*450 (Factory Option)
	Max. Size (mm)	800 * 800	
PCB	Min. Size (L*W mm)	50 * 50	
	Max. Size (L*W mm)	680 * 550	
	Thickness (mm)	0.4 ~ 6	
	Max. Weight	4 Kg	
	PCB Under Clearance	14 mm	
Printing	Speed	1~ 300 mm/Sec	Programmable
	Pressure	4 ~ 20Kg	Auto pressure control regulator (Programmable)
	Cycle time	8 Sec	Standard PCB 200 * 200, (Exclude printing time)
Accuracy	Alignment Repeated	±12.5µm @ 6σ	
	Printing repeatability	±25µm@ 6 Sigma, Cpk≥ 2	
Others	Air supply	4 ~ 6 Kg/㎥	
	Power supply	220V±10% Single Phase, MAX 1Kw 50/60 Hz	
	Weight	1,000 Kg	
	Dimension	1,696 * 1,637 * 1,430 mm	

Standard Model & Main Specification

HIT520L(III)



Main Specification

Item		HIT520(III)	Remark
MASK	Min. Size (mm)	584 * 584	23" * 23"
	Max. Size (mm)	1,050 * 950	
PCB	Min. Size (L*W mm)	50 * 50	
	Max. Size (L*W mm)	750 * 650	
	Thickness (mm)	0.4 ~ 6	
	Max. Weight	4 Kg	
	PCB Under Clearance	14 mm	
Printing	Speed	1~ 300 mm/Sec	Programmable
	Pressure	4 ~ 20Kg	Auto pressure control regulator (Programmable)
	Cycle time	8 Sec	Standard PCB 200 * 200, (Exclude printing time)
Accuracy	Alignment Repeated	±12.5μm @ 6σ	
	Printing repeatability	±25μm @ 6 Sigma, Cpk≥ 2	
Others	Air supply	4 ~ 6 Kg/㎡	
	Power supply	220V±10% Single Phase, MAX 1Kw 50/60 Hz	
	Weight	1,100 Kg	
	Dimension	1,796 * 1,740 * 1,430 mm	

Advanced Model & Main Specification

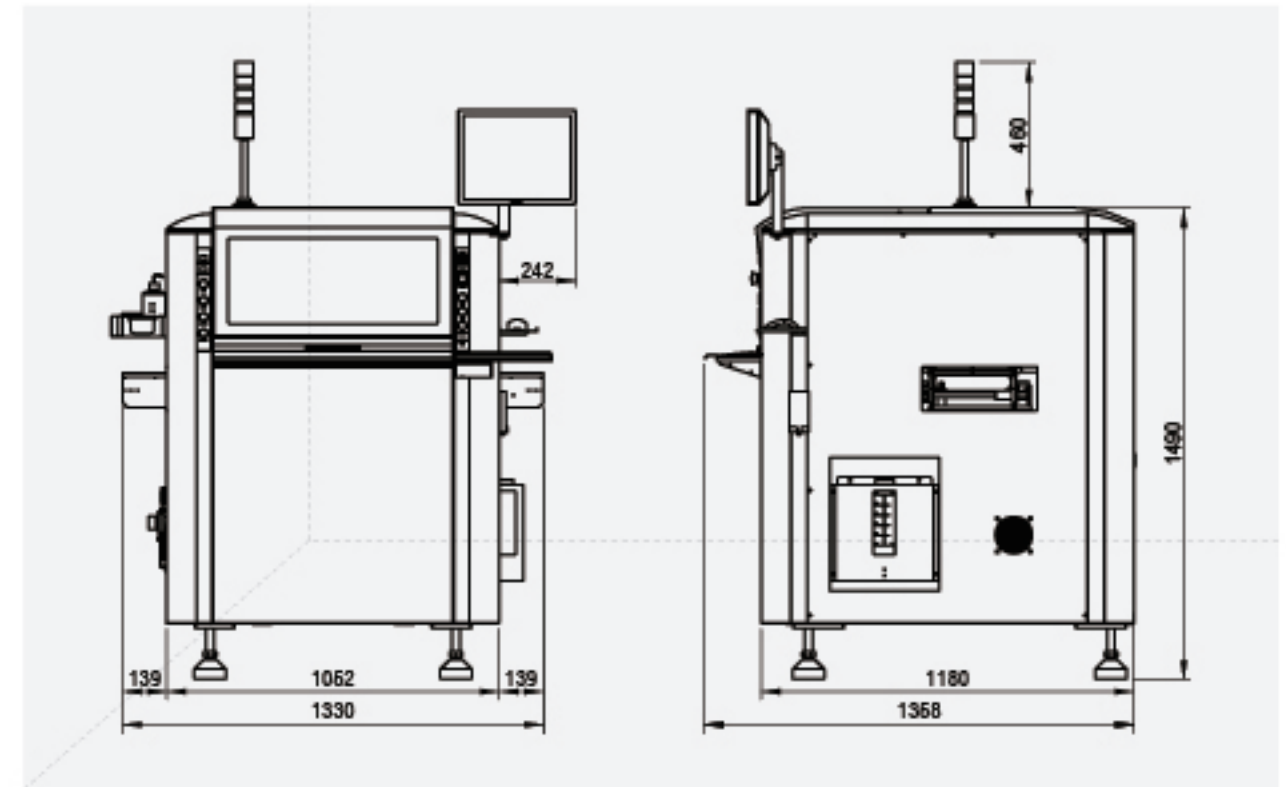
HIT520 Smart



(Single lane)



(Dual lane)



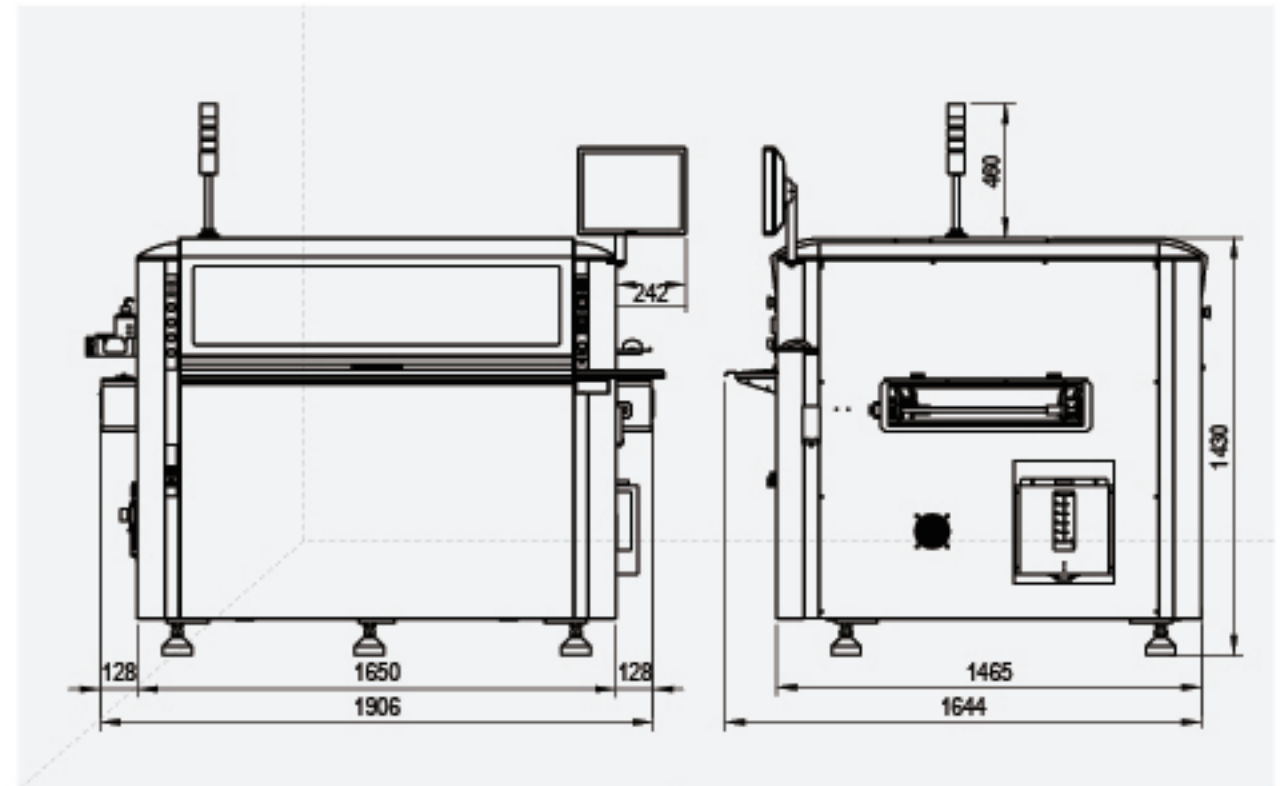
Main Specification

	Item	HIT520 Smart	Remark
MASK	Min. Size (mm)	650 * 550	
	Max. Size (mm)	650 * 650	
PCB	Min. Size (L*W mm)	60 * 60	(Smart)
	Max. Size (L*W mm)	330 * 250	Mask Vacuum Clamp, Flipper
	Thickness (mm)	0.4 ~ 6	Separation type :
	Max. Weight	4 Kg	Decompression
	PCB Under Clearance	15 mm	
Printing	Speed	1~ 300 mm/Sec	Programmable
	Pressure	4 ~ 20Kg	Auto pressure control regulator (Programmable)
	Cycle time	8 Sec	Standard PCB 200 * 200, (Exclude printing time)
Accuracy	Alignment Repeated	±12.5µm @ 6σ	
	Printing repeatability	±25µm @ 6 Sigma, Cpk≥ 2	
Others	Air supply	4 ~ 6 Kg/æ'	
	Power supply	220V±10% Single Phase, MAX 1Kw 50/60 Hz	
	Weight	800 Kg	
	Dimension	1,330 * 1,180 * 1,490 mm	

LED or Long & Large Board Model & Main Specification

(X-Direction Printing and Cleaning System)

HIT520XL



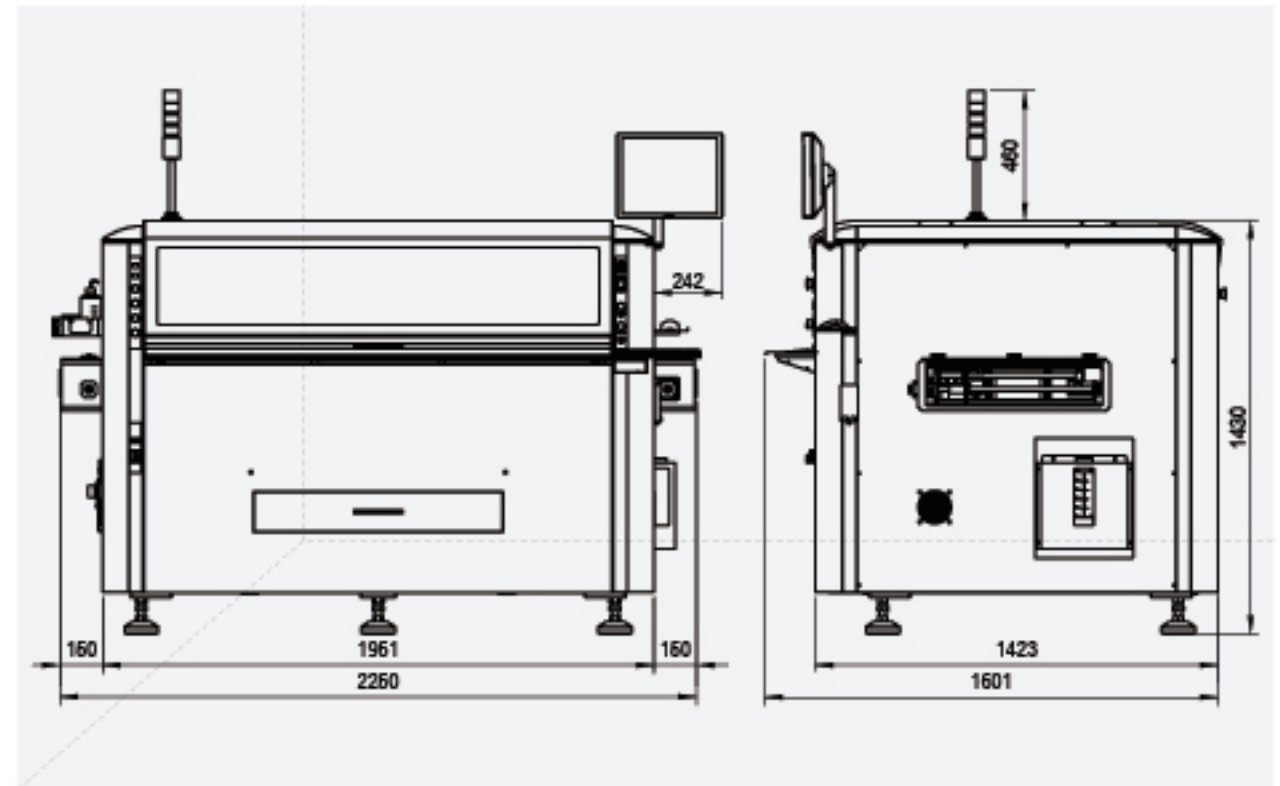
Main Specification

Item		HIT520XL	Remark
MASK	Min. Size (mm)	650 * 550	
	Max. Size (mm)	1,200 * 736	
PCB	Min. Size (L*W mm)	80 * 80	
	Max. Size (L*W mm)	850 * 550	
	Thickness (mm)	0.4 ~ 6	
	Max. Weight	10 Kg	
	PCB Under Clearance	14 mm	
Printing	Speed	1~ 300 mm/Sec	Programmable
	Pressure	4 ~ 20Kg	Auto pressure control regulator (Programmable)
	Cycle time	11 Sec	Standard PCB 200 * 200, (Exclude printing time)
Accuracy	Alignment Repeated	±12.5µm @ 6σ	
	Printing repeatability	±25µm @ 6 Sigma, Cpk≥ 2	
Others	Air supply	4 ~ 6 Kg/α'	
	Power supply	220V±10% Single Phase, MAX 1Kw 50/60 Hz	
	Weight	1,100 Kg,(1,000 kg)	
	Dimension	1,906 * 1,513 * 1,430 mm	

LED or Long & Large Board Model & Main Specification

(X-Direction Printing and Cleaning System)

HIT520H/HIT520HD



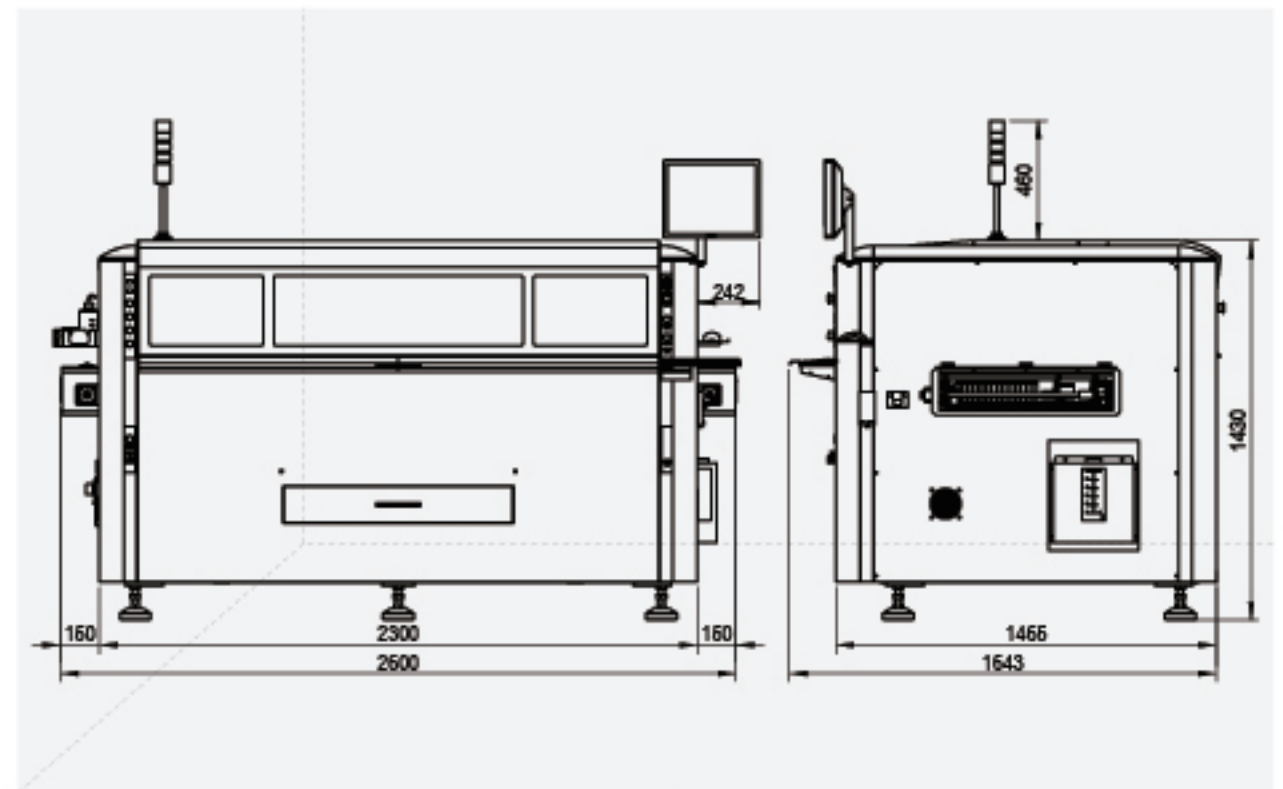
Main Specification

Item		HIT520H/HD	Remark
MASK	Min. Size (mm)	736 * 550	
	Max. Size (mm)	1,500 * 736	
PCB	Min. Size (L*W mm)	80 * 80	
	Max. Size (L*W mm)	1,200 * 500	
	Thickness (mm)	0.4 ~ 6	
	Max. Weight	10 Kg	
	PCB Under Clearance	14 mm	
Printing	Speed	1~ 300 mm/Sec	Programmable
	Pressure	4 ~ 20Kg	Auto pressure control regulator (Programmable)
	Cycle time	14 Sec	Standard PCB 200 * 200, (Exclude printing time)
Accuracy	Alignment Repeated	$\pm 12.5\mu\text{m} @ 6\sigma$	
	Printing repeatability	$\pm 25\mu\text{m} @ 6\text{ Sigma, Cpk} \geq 2$	
Others	Air supply	4 ~ 6 Kg/cm ²	
	Power supply	220V \pm 10% Single Phase, MAX 1Kw 50/60 Hz	
	Weight	1,200 Kg	
	Dimension	2,250 * 1,423 * 1,430 mm	

LED or Long & Large Board Model & Main Specification

(X-Direction Printing and Cleaning System)

HIT520HL



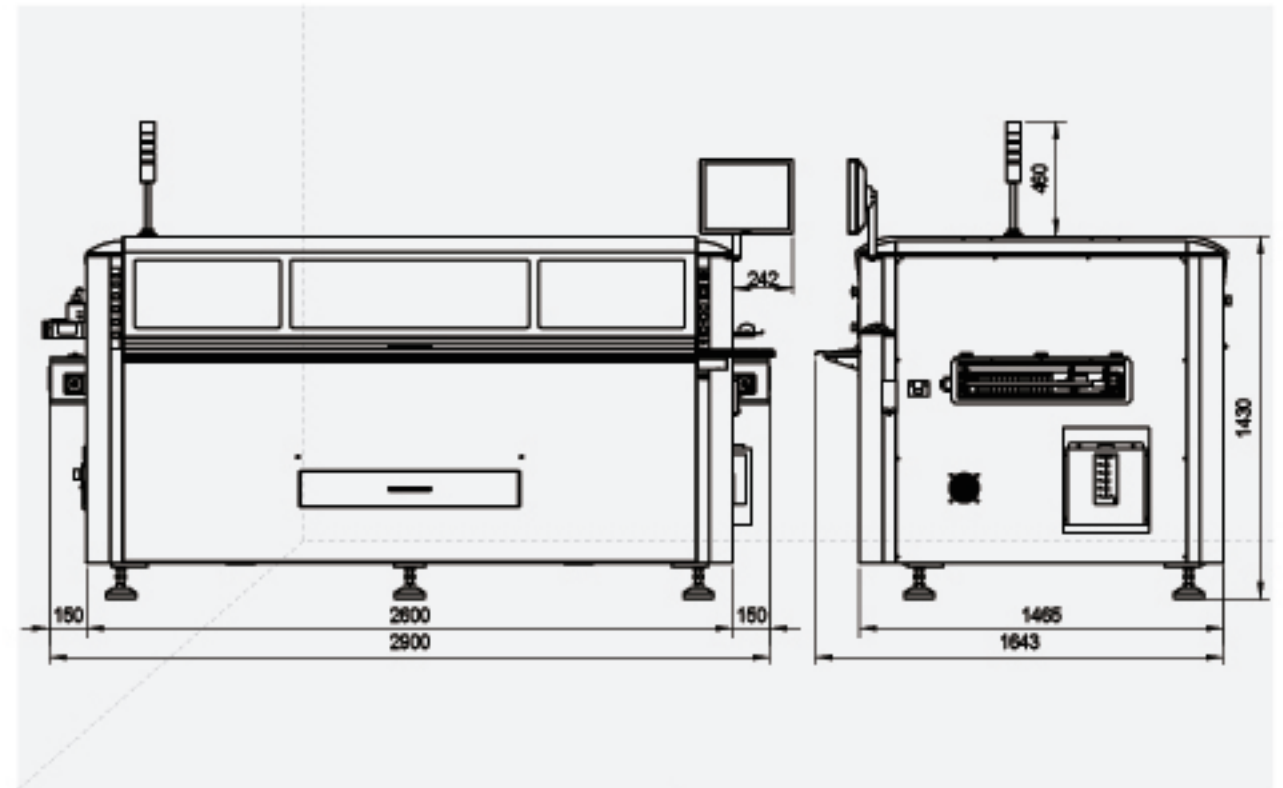
Main Specification

Item		HIT520HL	Remark
MASK	Min. Size (mm)	736 * 736	
	Max. Size (mm)	1,850 * 736	
PCB	Min. Size (L*W mm)	80 * 80	
	Max. Size (L*W mm)	1,550 * 560	
	Thickness (mm)	0.4 ~ 6	
	Max. Weight	10 Kg	
	PCB Under Clearance	14 mm	
Printing	Speed	1~ 300 mm/Sec	Programmable
	Pressure	4 ~ 20Kg	Auto pressure control regulator (Programmable)
	Cycle time	16 Sec	Standard PCB 200 * 200, (Exclude printing time)
Accuracy	Alignment Repeated	$\pm 12.5\mu\text{m} @ 6\sigma$	
	Printing repeatability	$\pm 25\mu\text{m} @ 6 \text{ Sigma, Cpk} \geq 2$	
Others	Air supply	4 ~ 6 Kg/cm ²	
	Power supply	220V \pm 10% Single Phase, MAX 1Kw 50/60 Hz	
	Weight	1,500 Kg	
	Dimension	2,600 * 1,465 * 1,430 mm	

LED or Long & Large Board Model & Main Specification

(X-Direction Printing and Cleaning System)


HIT520HL(II)



Main Specification

Item		HIT520HL(II)	Remark
MASK	Min. Size (mm)	736 * 736	
	Max. Size (mm)	2,150 * 736	
PCB	Min. Size (L*W mm)	80 * 80	
	Max. Size (L*W mm)	1,850 * 560	
	Thickness (mm)	0.4 ~ 6	
	Max. Weight	10 Kg	
	PCB Under Clearance	14 mm	
Printing	Speed	1~ 300 mm/Sec	Programmable
	Pressure	4 ~ 20Kg	Auto pressure control regulator (Programmable)
	Cycle time	18 Sec	Standard PCB 200 * 200, (Exclude printing time)
Accuracy	Alignment Repeated	$\pm 12.5\mu\text{m} @ 6\sigma$	
	Printing repeatability	$\pm 25\mu\text{m} @ 6 \text{ Sigma}, \text{Cpk} \geq 2$	
Others	Air supply	4 ~ 6 Kg/cm ²	
	Power supply	220V \pm 10% Single Phase, MAX 1Kw 50/60 Hz	
	Weight	1,700 Kg	
	Dimension	2,600 * 1,465 * 1,430 mm	

Common Specification

Item		HIT520 Series	Remark
MASK	Mask Clamping	Air Cylinder	
	Mask Positioning	Automatic	
PCB	Clamping type	Top Clamping, Side Clamping, Vacuum	(Smart Only) Mask Vacuum, Flipper
	PCB Support	Magnetic Support pin (3mm, 16mm) Support block, Vacuum block, Vacuum Curtain	
3 segment Conveyors	Transport direction	L→L, R→R, L→R, R→L	R→L : Factory option
	Conveyor width adjustment	Stage: Auto IN/OUT: Auto	IN/OUT : Manual (Minus Option)
Squeegee	Squeegee blade type	DLC coated	
	Length	L=280mm (50 ~ 240mm) L=320mm (50 ~ 280mm) L=400mm (50 ~ 360mm) L=460mm (50 ~ 420mm) L=560mm (50 ~ 520mm)	Adjustable type (standard) User defined length, 600mm 770mm (Fixed) (Option)
Fiducial Mark	Type	 User defined images	
	Size	0.5 ~ 3 mm	
	Mark Number	2, 3, 4 fiducial marks alignment system	
	Mask Searching	Automatic	
Separation	Separation Type	Normal / Vacuum	(Smart) Decompression
	Speed	0.5 ~ 30 mm/Sec	Programmable
	Distance	0 ~ 5 mm	Programmable
Pin Tooling	Auto Gripper tooling	3mm, 16mm Auto positioning and Auto inspection of pin positions	Factory Option
	Manual Laser tooling	3mm, 16mm Manual setting and Auto inspection of pin positions	Basic configuration
Cleaning System	Cleaning Type	Dry, Wet, Vacuum, Air	
	Cleaning Head	Silicon Pad	Vacuum head lengths 350mm (Standard), 460mm, 520mm, 600mm
	Moving Direction	Standard (Y-direction), LED & Long board (X-direction)	
SPI Communication	Closed loop	Auto printing offset, Auto Cleaning function	
2DI Inspection	Camera FOV	8.5 mm * 8 mm, CIS 640* 480 Japan	
	Inspection	Small solder, No solder, Bridge	
	Inspection Size	Over 0.2 mm	
Fan Blower	Snap off and PCB Fixing	Vacuum Separation	
	Air condition System	Temp: 20 °C ~ 30°C 220V, Single Phase	
Product Changing time	Product Changeover	2 Min.	
	New product setup	5 Min.	



ANS-answer elektronik (Germany)

- Address:Service-&Vertriebs GmbH Heegwaldstrasse 13D-63894 Limeshain
- Tel:+49 60479600-3
- Fax:+49 60479600-50



Amtest Czech Republic,s.r.o (Czech)

- Address:Jecna 29a 62100 Brno Czech Republic
- Tel:+420 541 634 353



Blundell Production Equipment (UK)

- Address:Quinn Close,Seven Stars Industrial Estate Whitley,Coventry CV3 4LH
- Tel:+024 7621 0270
- Fax:+024 7621 0280



IEMME S.p.A (Italy)

- Address:21050 Gorla Maggiore (VA)-Via Boschi Belli,6
- Tel:+0331/36871
- Fax:+0331/369380



Trans-Tec America (USA)

- Address:7301 W.Boston Street Chandler, AZ 85226
- Tel:+1 877 987 2678



HR (Australia)

- 75-77 Westgate Drive,Altona North, Victoria,3025
- Phone - 1300 360 031
- Fax - 1800 454 599



- Riera Figuera Major 17, local 1 08304 Mataró Barcelona, España
- Teléfono +34 630 038 698



- 519 US Highway 301 South Tampa FL 33619,USA,
- Telephone: +1 813 664 0686
- Fax : +1 813 246 9595



Universal Pribor.Ltd. 8 (Russia)

- Address:Russia,St.-Petersburg,199004 V.O ..8-th line,59,building 2
- Tel:+7(812)334-55-66



Amistar Automation,Inc. (USA)

- Address:1281 Activity Drive Vista, CA 92081-8510
- Tel:+760 471 1700
- Fax:+760 471 9065



CORE-EMT (Denmark)

- Address:CORE-emt A/S,Vestvej 13. DK-9600 Aars
- Tel:+45 3017 8210



Quiptech International Limited (Mexico)

- Address:Camino A La Tijera 806 A-I Tlajomulco De Zuniga,C.P.45645,Jalisco,Mexico.
- Tel:+52(33)36127900



InterElectronic INTEON

- Hungary 1222 Budapest, Gyár str. 15 (M9-es épület) InterElectronic Hungary Kft
- Tel:+36 1 207-37-26
- HP:+36 70 385-05-37



NS SYSTEM (Korea)

- Address:#498-11,Gwirae-ri,Jungnam-myeon, Hwaseong-si,Gyeonggi-do,Korea
- Tel:+82-31-831-5770
- HP:+82-10-5382-9302