

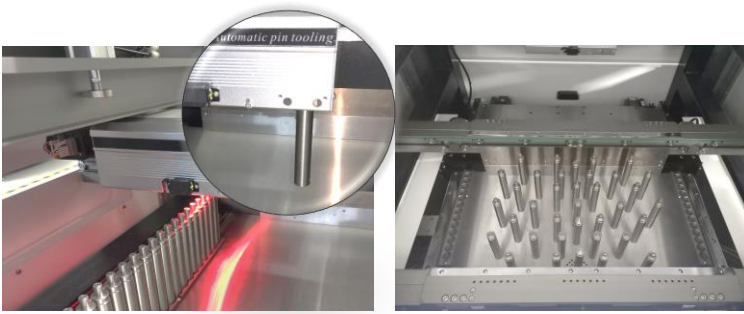
High Performance Vision screen printer with Best platform

High speed screen printer with excellent quality assurance, Robust design and the most convenient to the users.

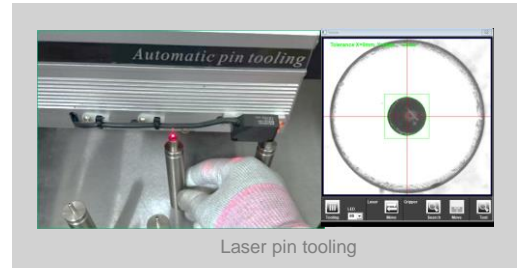
HIT 520 S^{CE} SERIES



S3, S5, S7



Auto gripper tooling



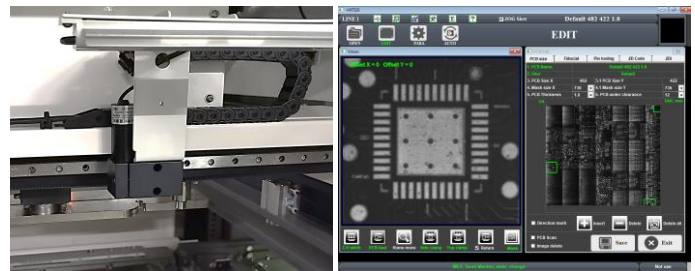
Laser pin tooling

Auto gripper tooling

In the case that there are a large number of precision components and irregular components on both sides of PCB, PIN can not be placed by manual. Via Auto gripper tooling the PIN can be positioned conveniently and accurately.

Large FOV scan camera

Scan the entire PCB image quickly. Set the mark and PIN position. No need to measure Mark coordinates by other tools. Save program production time and improve efficiency.



Automatic solder paste supply

Large extrusion torque, adjustable extrusion distance and speed and controllable solder paste quantity. The software calculates the stroke according to the PCB size automatically. Self-defined adding solder paste. Set the range of adding solder paste according to the opening size of the mask.

3D laser solder paste scan

The 3D solder paste laser sensor can monitor the amount of solder paste on the stencil in real time. Remind operators to add solder paste in time according to the set parameters.



3D laser sensor



3D solder paste scan picture

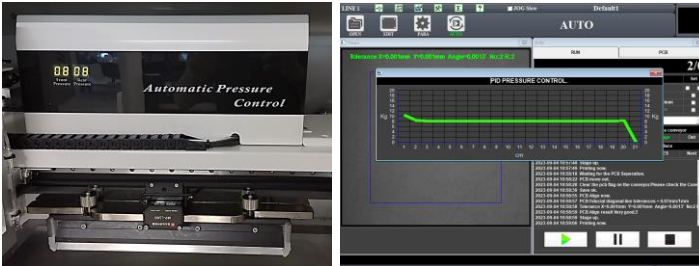


| Parameter | | PCB Stop action | Inspection | PCB stop action |
|--------------------------|------|-----------------|--------------------------|-----------------|
| 1. Solder paste amount | 4 | pin | 1. Solder paste amount | 4 |
| 2. Material check count | 8 | pin | 2. Material check count | 8 |
| 3. Product stop count | 8 | pin | 3. Product stop count | 8 |
| 4. Line delay time | 0 | min | 4. Line delay time | 0 |
| 5. Solder paste amount | 70 | mm | 5. Solder paste amount | 70 |
| 6. Solder paste amount | 80 | mm | 6. Solder paste amount | 80 |
| 7. Solder paste amount | 90 | mm | 7. Solder paste amount | 90 |
| 8. Solder paste amount | 100 | mm | 8. Solder paste amount | 100 |
| 9. Solder paste amount | 110 | mm | 9. Solder paste amount | 110 |
| 10. Solder paste amount | 120 | mm | 10. Solder paste amount | 120 |
| 11. Solder paste amount | 130 | mm | 11. Solder paste amount | 130 |
| 12. Solder paste amount | 140 | mm | 12. Solder paste amount | 140 |
| 13. Solder paste amount | 150 | mm | 13. Solder paste amount | 150 |
| 14. Solder paste amount | 160 | mm | 14. Solder paste amount | 160 |
| 15. Solder paste amount | 170 | mm | 15. Solder paste amount | 170 |
| 16. Solder paste amount | 180 | mm | 16. Solder paste amount | 180 |
| 17. Solder paste amount | 190 | mm | 17. Solder paste amount | 190 |
| 18. Solder paste amount | 200 | mm | 18. Solder paste amount | 200 |
| 19. Solder paste amount | 210 | mm | 19. Solder paste amount | 210 |
| 20. Solder paste amount | 220 | mm | 20. Solder paste amount | 220 |
| 21. Solder paste amount | 230 | mm | 21. Solder paste amount | 230 |
| 22. Solder paste amount | 240 | mm | 22. Solder paste amount | 240 |
| 23. Solder paste amount | 250 | mm | 23. Solder paste amount | 250 |
| 24. Solder paste amount | 260 | mm | 24. Solder paste amount | 260 |
| 25. Solder paste amount | 270 | mm | 25. Solder paste amount | 270 |
| 26. Solder paste amount | 280 | mm | 26. Solder paste amount | 280 |
| 27. Solder paste amount | 290 | mm | 27. Solder paste amount | 290 |
| 28. Solder paste amount | 300 | mm | 28. Solder paste amount | 300 |
| 29. Solder paste amount | 310 | mm | 29. Solder paste amount | 310 |
| 30. Solder paste amount | 320 | mm | 30. Solder paste amount | 320 |
| 31. Solder paste amount | 330 | mm | 31. Solder paste amount | 330 |
| 32. Solder paste amount | 340 | mm | 32. Solder paste amount | 340 |
| 33. Solder paste amount | 350 | mm | 33. Solder paste amount | 350 |
| 34. Solder paste amount | 360 | mm | 34. Solder paste amount | 360 |
| 35. Solder paste amount | 370 | mm | 35. Solder paste amount | 370 |
| 36. Solder paste amount | 380 | mm | 36. Solder paste amount | 380 |
| 37. Solder paste amount | 390 | mm | 37. Solder paste amount | 390 |
| 38. Solder paste amount | 400 | mm | 38. Solder paste amount | 400 |
| 39. Solder paste amount | 410 | mm | 39. Solder paste amount | 410 |
| 40. Solder paste amount | 420 | mm | 40. Solder paste amount | 420 |
| 41. Solder paste amount | 430 | mm | 41. Solder paste amount | 430 |
| 42. Solder paste amount | 440 | mm | 42. Solder paste amount | 440 |
| 43. Solder paste amount | 450 | mm | 43. Solder paste amount | 450 |
| 44. Solder paste amount | 460 | mm | 44. Solder paste amount | 460 |
| 45. Solder paste amount | 470 | mm | 45. Solder paste amount | 470 |
| 46. Solder paste amount | 480 | mm | 46. Solder paste amount | 480 |
| 47. Solder paste amount | 490 | mm | 47. Solder paste amount | 490 |
| 48. Solder paste amount | 500 | mm | 48. Solder paste amount | 500 |
| 49. Solder paste amount | 510 | mm | 49. Solder paste amount | 510 |
| 50. Solder paste amount | 520 | mm | 50. Solder paste amount | 520 |
| 51. Solder paste amount | 530 | mm | 51. Solder paste amount | 530 |
| 52. Solder paste amount | 540 | mm | 52. Solder paste amount | 540 |
| 53. Solder paste amount | 550 | mm | 53. Solder paste amount | 550 |
| 54. Solder paste amount | 560 | mm | 54. Solder paste amount | 560 |
| 55. Solder paste amount | 570 | mm | 55. Solder paste amount | 570 |
| 56. Solder paste amount | 580 | mm | 56. Solder paste amount | 580 |
| 57. Solder paste amount | 590 | mm | 57. Solder paste amount | 590 |
| 58. Solder paste amount | 600 | mm | 58. Solder paste amount | 600 |
| 59. Solder paste amount | 610 | mm | 59. Solder paste amount | 610 |
| 60. Solder paste amount | 620 | mm | 60. Solder paste amount | 620 |
| 61. Solder paste amount | 630 | mm | 61. Solder paste amount | 630 |
| 62. Solder paste amount | 640 | mm | 62. Solder paste amount | 640 |
| 63. Solder paste amount | 650 | mm | 63. Solder paste amount | 650 |
| 64. Solder paste amount | 660 | mm | 64. Solder paste amount | 660 |
| 65. Solder paste amount | 670 | mm | 65. Solder paste amount | 670 |
| 66. Solder paste amount | 680 | mm | 66. Solder paste amount | 680 |
| 67. Solder paste amount | 690 | mm | 67. Solder paste amount | 690 |
| 68. Solder paste amount | 700 | mm | 68. Solder paste amount | 700 |
| 69. Solder paste amount | 710 | mm | 69. Solder paste amount | 710 |
| 70. Solder paste amount | 720 | mm | 70. Solder paste amount | 720 |
| 71. Solder paste amount | 730 | mm | 71. Solder paste amount | 730 |
| 72. Solder paste amount | 740 | mm | 72. Solder paste amount | 740 |
| 73. Solder paste amount | 750 | mm | 73. Solder paste amount | 750 |
| 74. Solder paste amount | 760 | mm | 74. Solder paste amount | 760 |
| 75. Solder paste amount | 770 | mm | 75. Solder paste amount | 770 |
| 76. Solder paste amount | 780 | mm | 76. Solder paste amount | 780 |
| 77. Solder paste amount | 790 | mm | 77. Solder paste amount | 790 |
| 78. Solder paste amount | 800 | mm | 78. Solder paste amount | 800 |
| 79. Solder paste amount | 810 | mm | 79. Solder paste amount | 810 |
| 80. Solder paste amount | 820 | mm | 80. Solder paste amount | 820 |
| 81. Solder paste amount | 830 | mm | 81. Solder paste amount | 830 |
| 82. Solder paste amount | 840 | mm | 82. Solder paste amount | 840 |
| 83. Solder paste amount | 850 | mm | 83. Solder paste amount | 850 |
| 84. Solder paste amount | 860 | mm | 84. Solder paste amount | 860 |
| 85. Solder paste amount | 870 | mm | 85. Solder paste amount | 870 |
| 86. Solder paste amount | 880 | mm | 86. Solder paste amount | 880 |
| 87. Solder paste amount | 890 | mm | 87. Solder paste amount | 890 |
| 88. Solder paste amount | 900 | mm | 88. Solder paste amount | 900 |
| 89. Solder paste amount | 910 | mm | 89. Solder paste amount | 910 |
| 90. Solder paste amount | 920 | mm | 90. Solder paste amount | 920 |
| 91. Solder paste amount | 930 | mm | 91. Solder paste amount | 930 |
| 92. Solder paste amount | 940 | mm | 92. Solder paste amount | 940 |
| 93. Solder paste amount | 950 | mm | 93. Solder paste amount | 950 |
| 94. Solder paste amount | 960 | mm | 94. Solder paste amount | 960 |
| 95. Solder paste amount | 970 | mm | 95. Solder paste amount | 970 |
| 96. Solder paste amount | 980 | mm | 96. Solder paste amount | 980 |
| 97. Solder paste amount | 990 | mm | 97. Solder paste amount | 990 |
| 98. Solder paste amount | 1000 | mm | 98. Solder paste amount | 1000 |
| 99. Solder paste amount | 1010 | mm | 99. Solder paste amount | 1010 |
| 100. Solder paste amount | 1020 | mm | 100. Solder paste amount | 1020 |

Standby function

One segment conveyor, One piece of PCBs can standby, Save the cycle time and Improve productivity.

Automatic squeegee pressure control

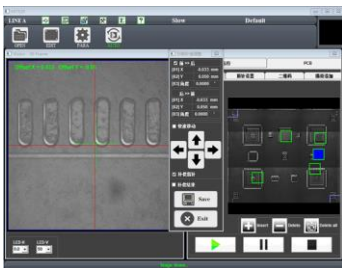


Squeegee pressure graph

With precision pressure sensor and HIT self-developed PID control system, Set different pressure according to different products. Real-time adjustment is realized and the pressure of the squeegee is displayed on the panel.

Visual offset Correction

For PCBs that have expanded and shrunk after printing, solder paste printing compensation can be adjusted by visual magnification image. The operation is simple and fast.

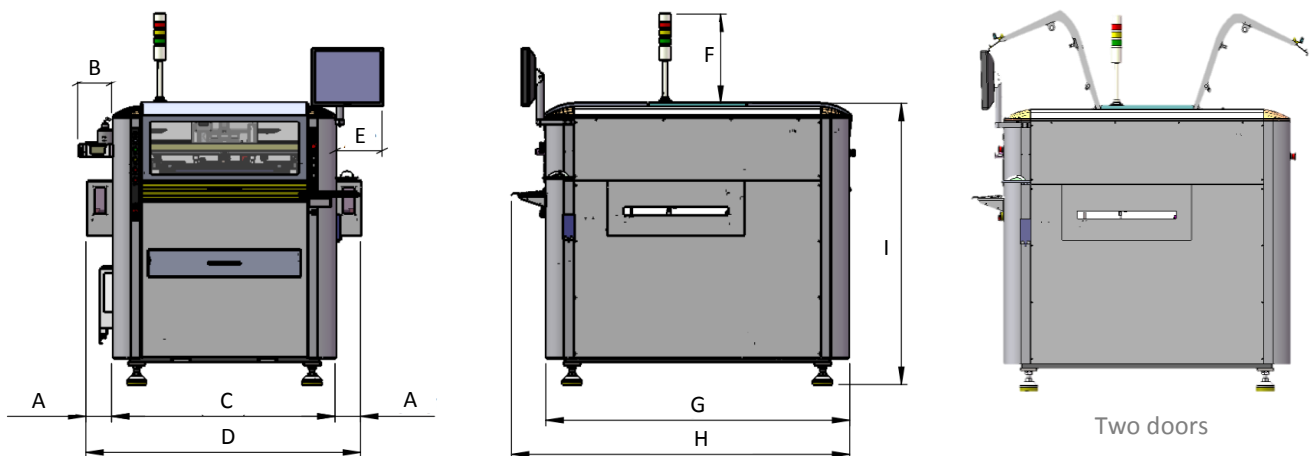


Adjustable Squeegee

Adjustable type of side guide – Printing Area can be controlled easily for actual PCB size.



Appearance (with rear door & cleaner in rear)



Unit : mm

| | A | B | C | D | E | F | G | H | I |
|----|-------|-----|------|------|-----|-----|------|------|------|
| S3 | 132.5 | 175 | 1158 | 1423 | 246 | 460 | 1574 | 1753 | 1450 |
| S5 | 122.5 | 175 | 1298 | 1543 | 246 | 460 | 1652 | 1825 | 1450 |
| S7 | 123 | 175 | 1498 | 1744 | 246 | 460 | 1652 | 1825 | 1450 |

| Item | S3 | S5 | S7 | Mark |
|----------------------------------|-------------------------------|---|--------------------------|--|
| Mask | Min. size (mm) | 650x550 | | |
| | Max. size (mm) | 736x736 | 800x800 | 1050x900 |
| | Fix method | Cylinder | | |
| | Position | Automatic mask moving system | | |
| PCB | Min. Size (mm) | 50x50 | | |
| | Max. size (mm) | 600x500 | 650x610 | 850x610 |
| | Thickness (mm) | 0.4 ~6 | | |
| | Max. weight (Kg) | 5Kg | 8Kg | 10Kg |
| | PCB Under Clearance (mm) | 12~25 | | |
| | PCB Fix method | Side Clamp (The force the motor can be adjusted by 30~100%) | | |
| | PCB Support | Magnet Support Pin(3mm,8mm); Magnet Support Curtain | | Top Clamp (0.15mm) |
| Print time | Speed (mm/Sec) | 1~300mm/Sec | | |
| | Automatic Press Control (Kg) | 4 ~ 20Kg (Squeegee PID Control) | | |
| | Cycle time (Sec) | 9 Sec | 10 Sec | 12 Sec |
| Squeegee | Squeegee type | Fix-squeegee | | Option : Adjustable Squeegee |
| | Length (mm) | 350mm | | L=400mm (50~360mm) |
| | | 460mm | | L=460mm (50~420mm) |
| 560mm | | L=560mm (50~520mm) | | |
| | | Custom | | Custom |
| Accuracy | Alignment Repeated | ±12.5µm@6σ | | |
| | Printing repeatability | ±25µm @ 6 Sigma,Cpk≥2 | | |
| One segment Conveyor | Transmit direction | left->left, right->right, left->right, right->left | | |
| | Transmit method | Gear timing belt transmission, Auto-adjust width | | |
| | Standby | One PCB can wait for loading | | |
| Fiducial Camera | Type | User defined images | | |
| | Mark Size | 0.5~3mm | | |
| | Quantity | 2 , 3or 4 Fiducial marks | | |
| | Mark search | Auto | | |
| Stage | Type | High rigidity | | |
| | Separation | Direct separation | | |
| | Speed | 0.5~30mm/Sec | | |
| | Distance | 0~5mm | | |
| Cleaning system | Type | Dry, Wet, Vacuum, Air | | |
| | Cleaning head | Silicon Pad | | |
| | Direction | Y' Axis | | |
| | Vacuum | 10%~100% | | |
| 2DI Check | Content | Small solder , No solder , Bridge | | |
| | Size | Over 0.2mm | | |
| | Check Image Quantity | Over 500 | | |
| PCB Scan Camera | PCB image scan | FOV 60X60mm | | |
| SPI System | SPI Printing Offset Feedback | Received the feedback information of bad printing from SPI | | |
| Display temperature and humidity | Temperature and humidity | Monitor in real time | | |
| PIN placement | Manual Laser tooling | Placed according to the position indicated by red laser | | |
| Air blower | Cleaning vacuum | Vacuum cleaning | | |
| Change Time | Old Product change time | 5 Min. | | |
| | New product setting time | 10 Min. | | |
| | Air supply | 4 ~ 6 Kg/cm ² | | |
| Others | Power Supply | 220V±10% Single Phase MAX 1Kw 50/60Hz | | |
| | Weight | About 1000Kg | About 1050Kg | About 1100Kg |
| | Dimension(mm) | L 1423 x W 1574 x H 1450 | L 1543 x W 1652 x H 1450 | L 1744 x W 1652 x H 1450 |
| OPTION | Air Condition System | Automatic temperature control | | |
| | PCB vacuum fix | | | |
| | Stage vacuum | Vacuum 10%~100% | | |
| | Mask vacuum | | | |
| | Auto Gripper tooling system | Accuracy within 2mm | | |
| | Automatic Solder paste supply | Z Axis Motor Control | | |
| | 3D Solder Paste Check | Monitor solder paste in real time | | |
| | | | | Remind operators to add solder paste in time |
| | SecsGEM I/F | HIT | | |
| | Hermes I/F | HIT | | |

Agent



HUI ZHO COMPANY

Address: 广东省惠州市仲恺高新区陈江镇
TEL : 0752-3320 700
FAX : 0752-379 4062

KOREA COMPANY

Address: 615 M Techno Center, 46 Gongdan-ro
140beon-gil, Gunpo-si, Gyeonggi-do
TEL : 031-658-2102

VIETNAM COMPANY

Address: SỐ NHÀ 5 ĐƯỜNG NGŨ TẤT TỐ,
PHƯỜNG NINH XÁ, THÀNH
PHỐ BẮC NINH, TỈNH BẮC NINH
TEL : +841682608617



SmtMax Ltd *Russia*
Address:249038, Russia, Kaluga region,
Obninsk city,Prospekt Lenin, 121,
of. 401
Tel :+7 48458-4-00-41,+7 800 550-16-49



InterElectronic *Hungary*
Address:Hungary 1222 Budapest, Gyár str.
15(M9-es épület)
Tel :+36 1 207-37-26



Blundell Production Equipment *UK*
Address:Quinn Close,Seven Stars Industrial
Estate Whitley,Coventry CV3 4LH
Tel :+024 7621 0270



ANS - answer elektronik *Germany*
Address:Service- & Vertriebs GmbH, Heeg-
waldring 25 D-63694 Limeshain
Tel :49 60479600-3



Europlacer *America*
Address:Europlacer Americas Inc.4640
E.Elwood St,Suite 14,Phoenix, AZ,
55040,USA
Tel :+1480.672.1100



Trans technology Pte Lt *USA*
Address:Block 207,Henderson Road, #01-02 /
03-02,Henderson Industrial Park,
Singapore 159550
Phone :No.(65)62961919



JST Electronics Pte Ltd *Singapore*
Address:10 Anson Road #10-11 International
Plaza Singapore
Tel : (65)6566 8398
Email :jeffreylau@jst-electronics.com